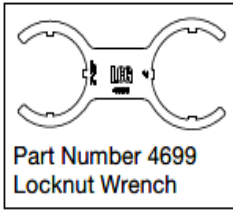
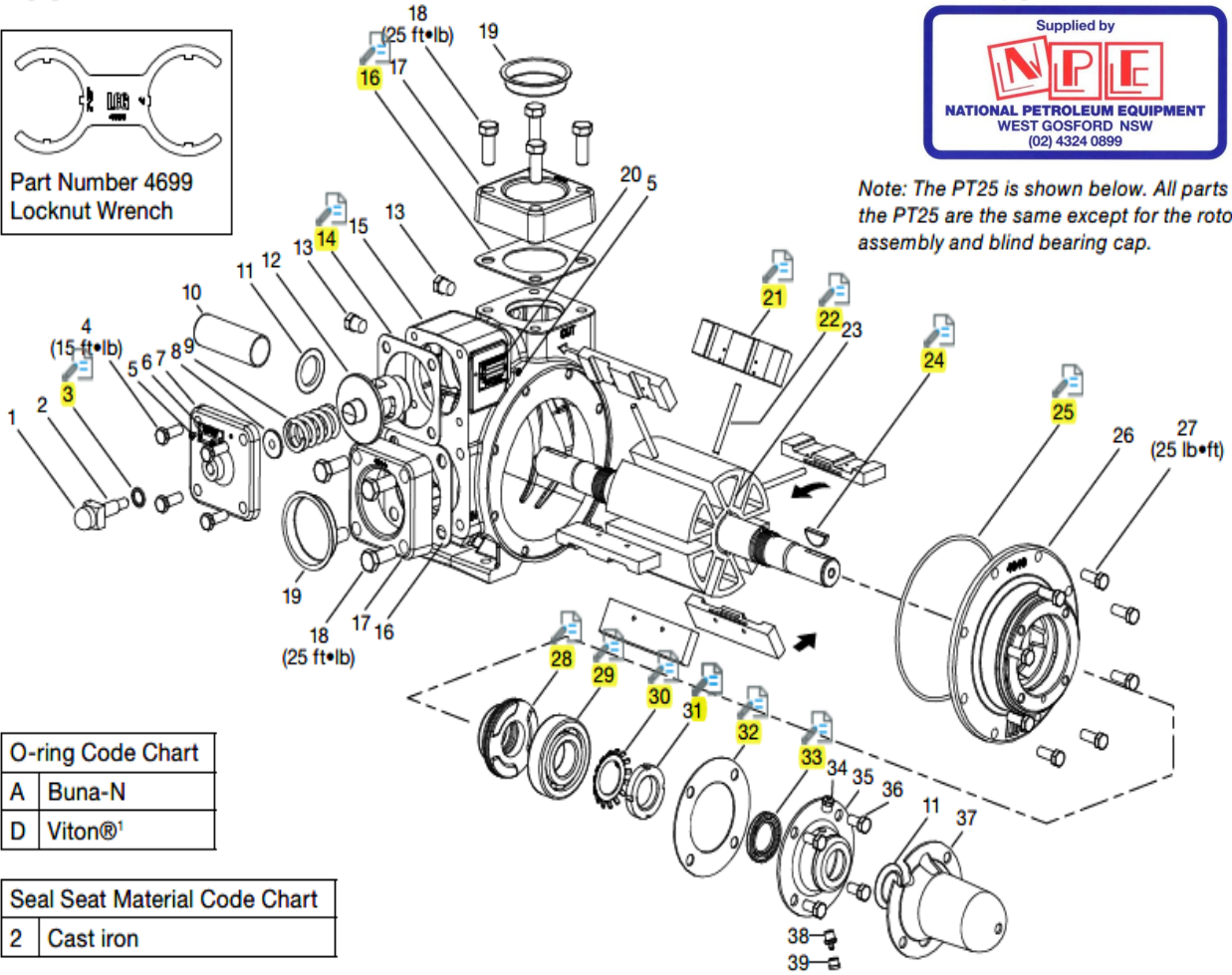


Appendix E—Part Details for the PT25 with Standard Bypass Valve



Note: The PT25 is shown below. All parts for the PT25 are the same except for the rotor shaft assembly and blind bearing cap.



A	Buna-N
D	Viton® ¹

2	Cast iron
---	-----------

No.	Part Number	Description	Qty.
1	4667	Bypass valve cap	1
2	4665	Bypass valve adjustment stem	1
3	4659	Bypass valve cap gasket	1
4	4613	Drilled - hex head bolt	4
5	7012-006SF019E	Pan HD phillip 6-32 X3/16 in.-type F plated	2
6	4626	Bypass valve tag	1
7	4645	Bypass valve cover	1
8	4647	Spring guide	1
9	4646	Spring (50–110 psi)—std.	1
	4756	Spring (110–125 psi)—opt.	
10	4662	Shaft cover	1
11	4697	Dirt shield	2
12	4643	Bypass valve	1
13	3442	Pipe plug - 1/4 in.	2
14	4660	Bypass valve cover gasket	1
15	4639	Case	1
16	4658	Flange gasket	2
17	4644	Flange (2-1/2 in. NPT)—std.	2
	4644-1	Flange (2-1/2 in. BSPT)—opt.	2
	4568	Flange (2-1/2 in. weld)—opt.	2
	4698	Neck flange (2 in. NPT)—opt.	2
	4698-1	Neck flange (2 in. BSPT)—opt.	2
18	7001-050NC175A	Hex head bolt	8

No.	Part Number	Description	Qty.
19	4735	Flange plug	2
20	4624	Nameplate	1
21	4696	Vane	6
22	4652	Vane driver	3
23	4641-X2	Rotor shaft assembly	1
24	4653	Shaft key	1
25	2-258 ²	O-ring	2
26	4640	Head	2
27	7001-037NC100A	Hex head bolt	16
28	4634-X ² ³	Seal assembly	2
29	4648	Ball bearing	2
30	4654	Shaft lockwasher	2
31	4655	Shaft locknut	2
32	4657	Bearing cap gasket	2
33	4650	Grease seal	2
34	1343	Grease relief fitting	2
35	4649	Bearing cap	2
36	7001-037NC075A	Hex head bolt	8
37	4651	Shaft protector	1
38	2158	Grease zerk	2
39	2159	Lubricap	2

¹ Viton® is a registered trademark of the DuPont company

² See O-ring material code chart

³ See seal seat material code chart